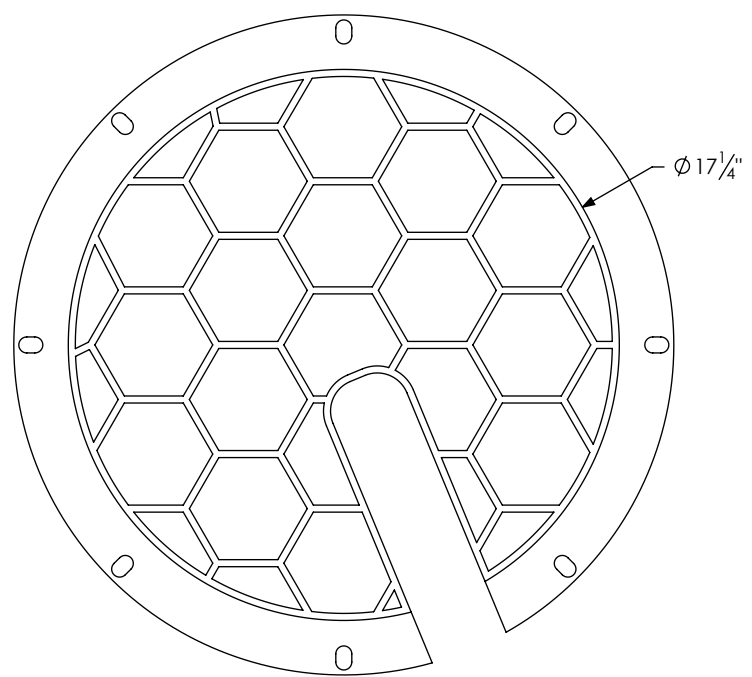
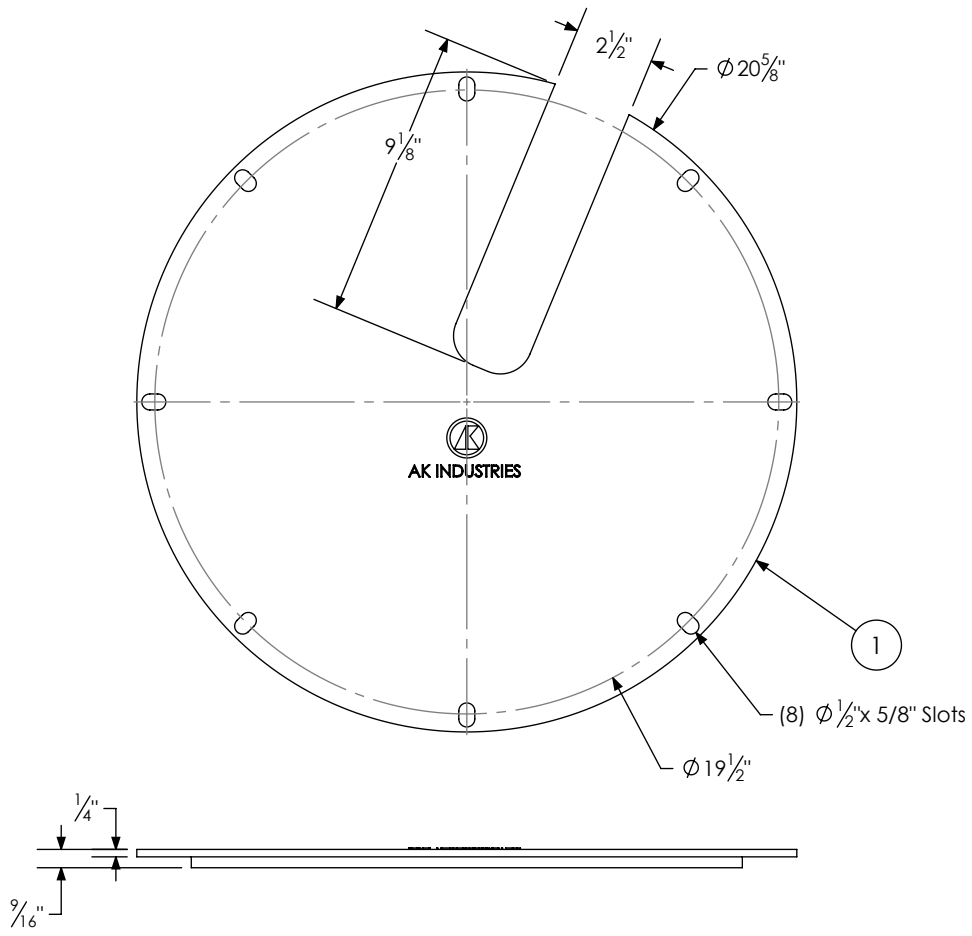


THIS DRAWING IS THE SOLE PROPERTY OF AK INDUSTRIES, INC.

DWG/PART NUMBER: AKP80241	DESCRIPTION: SF 18' Cover Slotted w/o Bolts	PART WEIGHT: 0.49 lbs	REV: 001	DATE: 8/17/2023
------------------------------	--	--------------------------	-------------	--------------------



ITEM NO.	PART NUMBER	DESCRIPTION	QTY.
1	AKR51320	RAW COVER/STRUCTURAL FOAM/18"/SLOTTED	1



DRAWN BY: TCT	MATERIAL: Structural Foam	TOLERANCE: +/- 0.0625 UNLESS SPECIFIED OTHERWISE	SIGNATURE:
------------------	------------------------------	---	------------